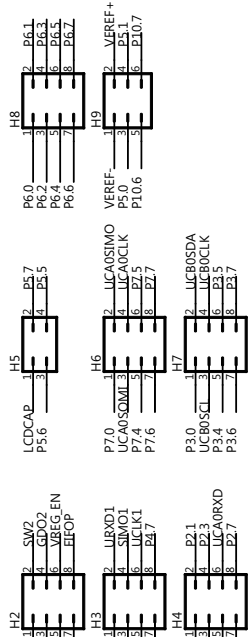
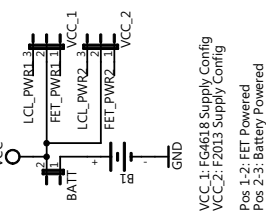


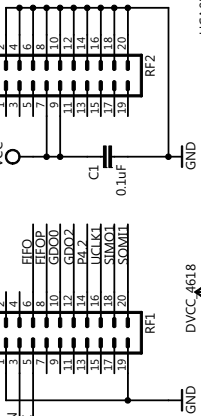
MSP430FG4618 Pin Access



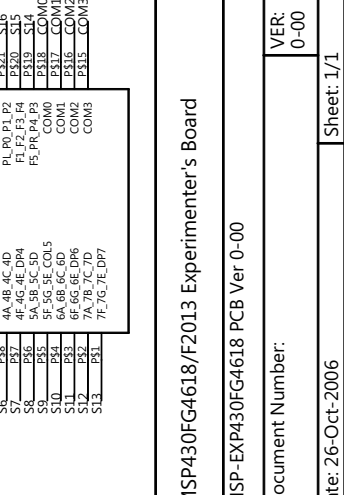
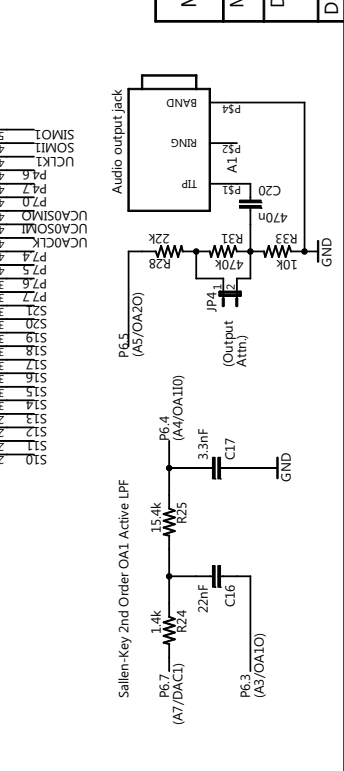
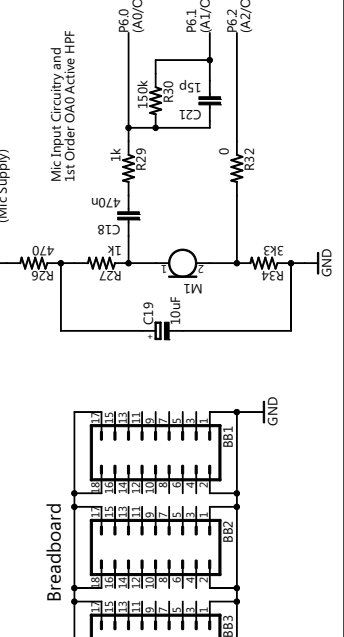
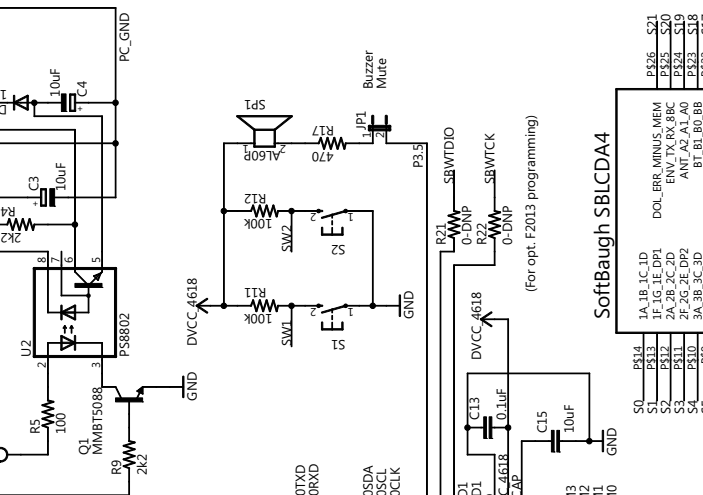
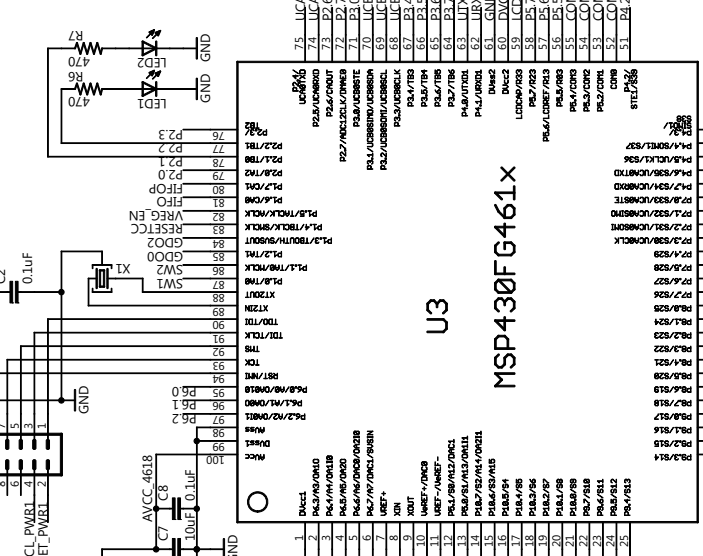
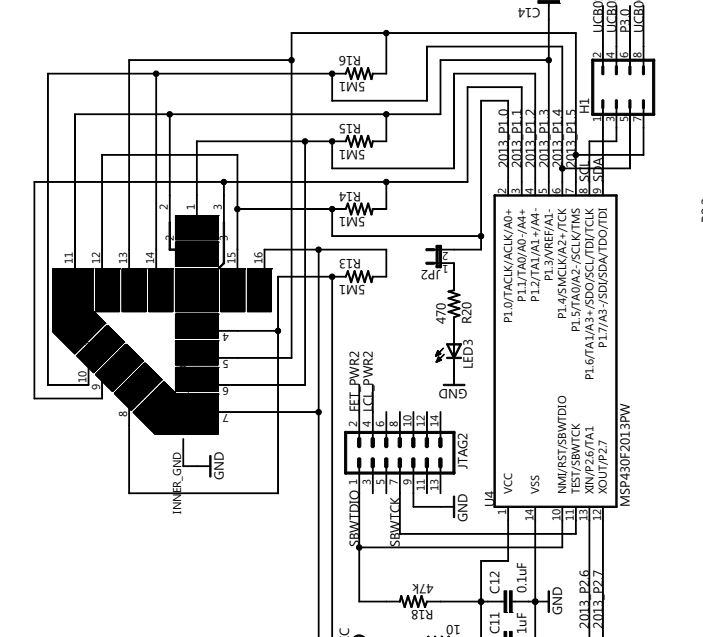
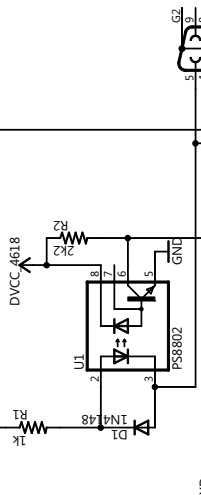
Power Supply Configuration



RF Daughter Card Connect



Isolated RS232 Communication



MSP430FG4618/F2013 Experimenter's Board
MSP-EXP430FG4618 PCB Ver 0-00
Document Number:
Date: 26-Oct-2006
Sheet: 1/1

VER: 0-00